



NSIC TECHNICAL SERVICES CENTRE
The National Small Industries Corporation Ltd.
(A Government of India Enterprise)
Okhla Phase-III, (Near Govind Puri Metro Station)
New Delhi - 110020.

Under Ministry of MSME Government of India

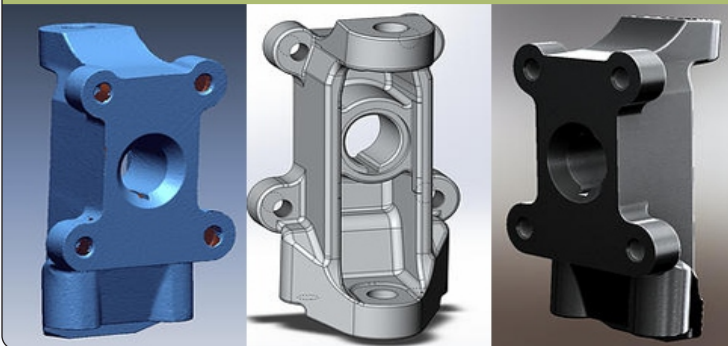
ADMISSION OPEN

2022 - 2023

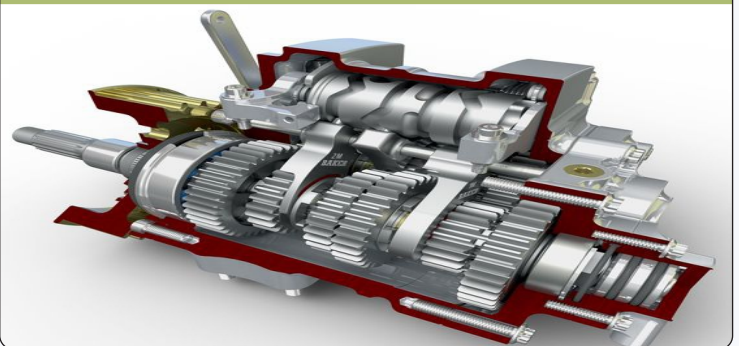
POST DIPLOMA IN REVERSE ENGINEERING

**Course is to be cover Reverse Engineering + CAD/CAM Unigraphics-NX
+ 3D Printing + CNC Programming + AutoCAD + Any one of
CAD/CAM Creo/CATIA Including Practical Projects**

REVERSE ENGINEERING



CAD/CAM UNIGRAPHICS-NX



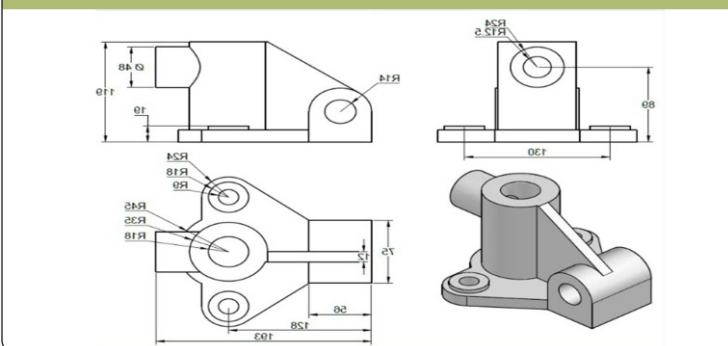
3D PRINTING



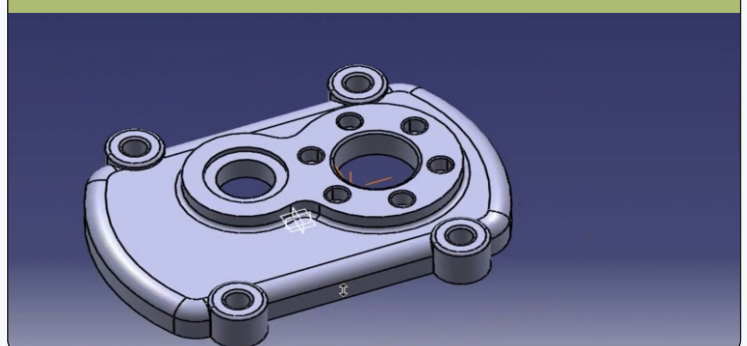
CNC PROGRAMMING



AUTOCAD



CAD/CAM Creo/CATIA



For more details please contact:-

Mob. No.: 9654578062, 9971925196

Tel: - 011-41009357, 011-26826801 (Ext.. 220 & 221)

E-Mail:- ntscok@nsic.co.in , admissions@nsic.co.in

Website:- www.nsic.co.in