



एन एस आई सी
N S I C
2022 - 2023

NSIC TECHNICAL SERVICES CENTRE
The National Small Industries Corporation Ltd.
(A Government of India Enterprise)
Okhla Phase-III, (Near Govind Puri Metro Station)
New Delhi - 110020.

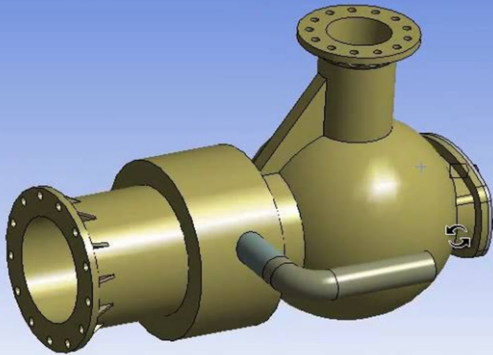
Under Ministry of MSME Government of India

ADMISSION OPEN

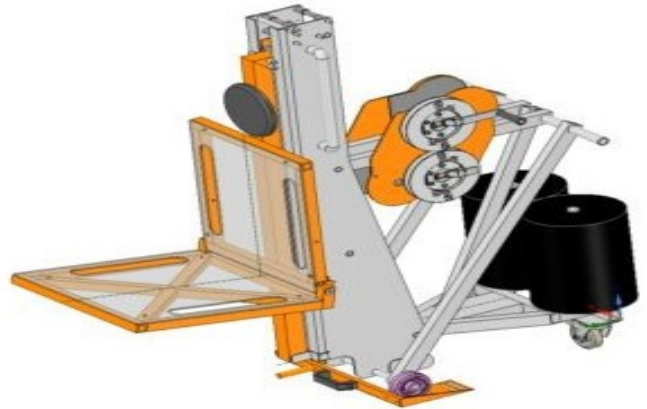
3D MODELING & ANALYSIS

3D Modeling using spaceclaim: Based on 3D Solid and Surface + Sheet Metal & Assembly + Detailing & Annotation + Measure & Repair

3D MODELING USING DESIGN MODULAR

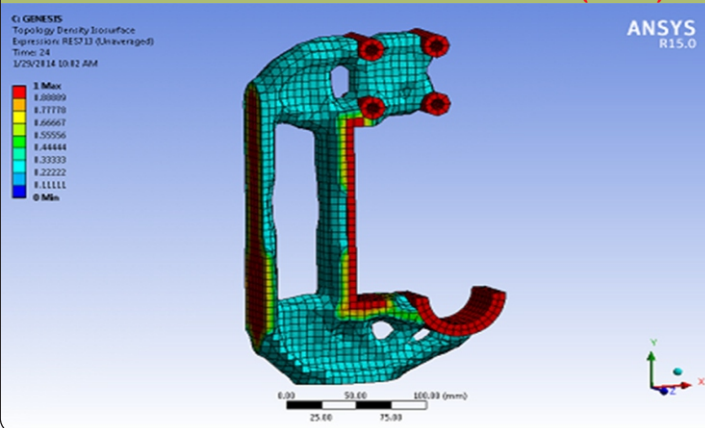


3D MODELING USING SPACECLAIM

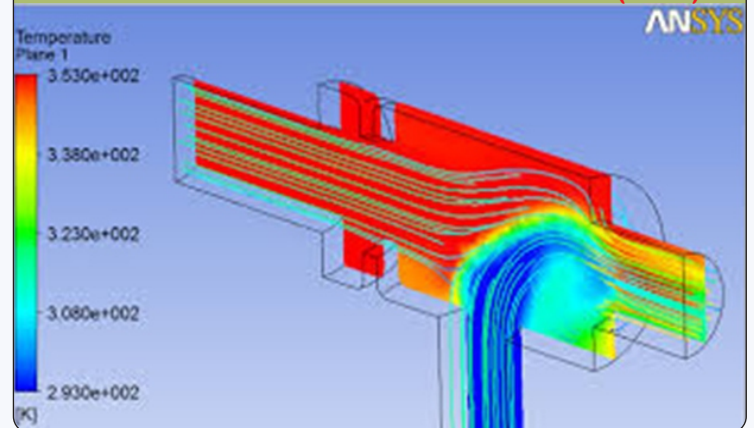


ANALYSIS: Based on Computer Aided Engineering (CAE) + Computational Fluid Dynamics (CFD)

COMPUTER AIDED ENGINEERING (CAE)



COMPUTATIONAL FLUID DYNAMICS (CFD)



For more details please contact:-
Mob. No.: 9654578062, 9971925196
Tel: - 011-41009357, 011-26826801 (Ext.. 220 & 221)